

Screw fixing mounts : CL8

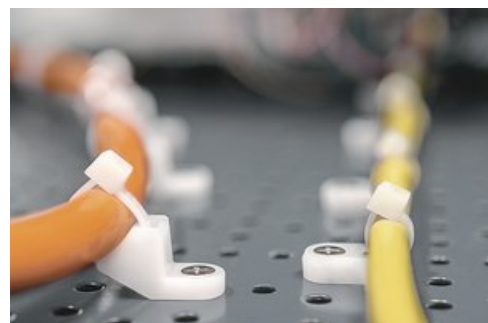
Screw Fixing Mounts with curved design 27,3x12.5 mm, sideways fixing, natural

Article number: 151-02258



Images (10)

Downloads



Features

- Small overall size for areas with limited mounting space
- Screwable mounts for fixing cable sideways
- Ideal for securing large, heavier bundles
- Suitable for cable ties up to 8 mm width

Certifications & Approvals

Application

In areas with limited space these mounting bases allow the cable to be offset from the fixing hole. They can be installed in the equipment prior to the cable installation. A major cost saving can be made using these products as they will allow the use of many different sizes of standard cable ties without the need for a wide range of specific fixing ties.

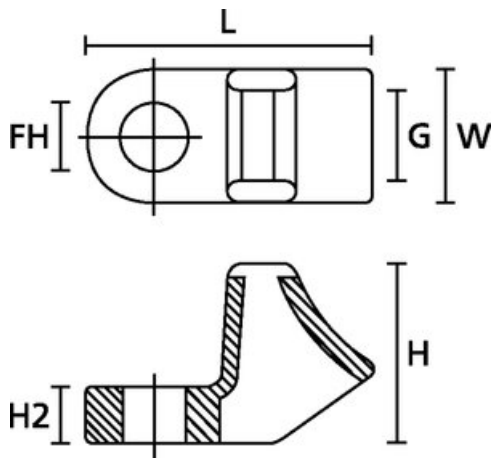
More products in this product group

[Screw fixing mounts >](#)

Base Data

Colour	Natural (NA)
Fixation Method	Screw Mounting and Rivet
For Ties	T18-T120
Mounting Screw Type	M6
Pack Cont.	100 pcs.
Package Quantity per	pcs.
PART DESCRIPTION	CL8-PA66-NA
Product Family	LKM / CL / FH with curved design for sideways fixing
Product Group	Screw fixing mounts
Short Description	Screw Fixing Mounts with curved design 27,3x12.5 mm, sideways fixing, natural

Product Dimensions



for Hole \varnothing (FH)	6.5 mm
Height (H)	16.0 mm
Height (H2)	5.0 mm
Length (L)	27.3 mm
Strap Width max. (G)	8.0 mm
Width (W)	12.5 mm

Material and Specifications

ELV compliant (Article 4 - 2)	YES
Flammability	UL 94 V2
Halogenfree	Yes
Hazardous good	No
Material	Polyamide 6.6 (PA66)
Nato number	5340-12-389-9843
Operating Temperature - °C	-40 °C to +85 °C
Specifications	HF ✓ RoHS ✓

Logistics and Packaging

More Information

ETIM 7.0 Key	EC000449
UNSPSC Key	39121717

Further information to CL8

Competences



Self-Adhesive cable tie mounts

HellermannTyton self-adhesive cable tie mounts are perfectly suited for cable fastening on round and angled surfaces. They save time, reduce part diversity and weight.

[Cable tie mounts >](#)


Similar products



LKM

151-26304

Screw fixing mounts


 Add to watchlist



FH30

151-61319

Screw fixing mounts


 Add to watchlist



CL8

151-02259

Screw fixing mounts

 Add to watchlist



FH18

151-61119

Screw fixing mounts


 Add to watchlist



FH30

151-61311

Screw fixing mounts

 Add to watchlist



FH50

151-61519

Screw fixing mounts

 Add to watchlist

Stay in touch with us!



[Contact](#) [Terms of Service](#) [Imprint](#) [Privacy Policy](#)

© HellermannTyton 2021 (v4.147) | Update: 29/08/2021